

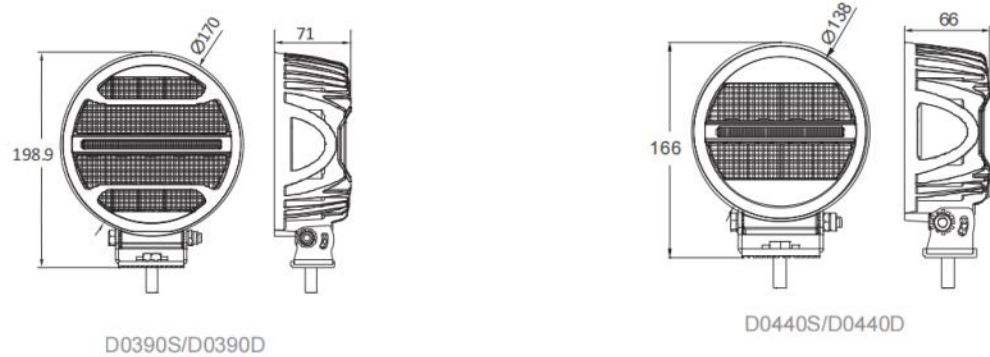


PARAMETER

Model NO.	LED Chip	Rated	Beam pattern	Amp Draw @12VDC	Raw lumen	Lux/10m	M/1Lux	Size	Color Temp
D0390S	OSRAM-P7	90W	Spot	6.26	9000lm	3260Lx	570m	∅170x71mm	5700k
D0390D	OSRAM-P7	90W	Driving	6.26	9000lm	1050Lx	324m	∅170x71mm	5700k
D0440S	OSRAM-P7	40W	Spot	2.79	4000lm	2290Lx	478m	∅138x66mm	5700k
D0440D	OSRAM-P7	40W	Driving	2.79	4000lm	855Lx	292m	∅138x66mm	5700k



DIMENSION



PARAMETER

Model NO.	LED Chip	Rated	Beam pattern	Amp Draw @12VDC	Raw lumen	Lux/10m	M/1Lux	Size	Color Temp
D09120D	LUXEON-ZES	120W	Driving10X40°	9	12000Lm	1640Lx	405m	∅228.6x106mm	5700K
	IMITATE LASER	20W	Spot5°	1.72	1320Lm	4539Lx	674m	∅228.6x106mm	5700K



DIMENSION

